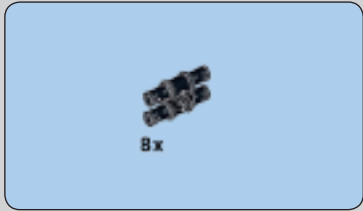
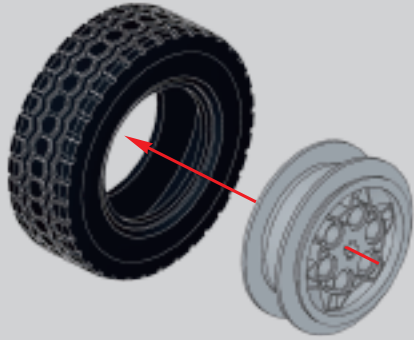




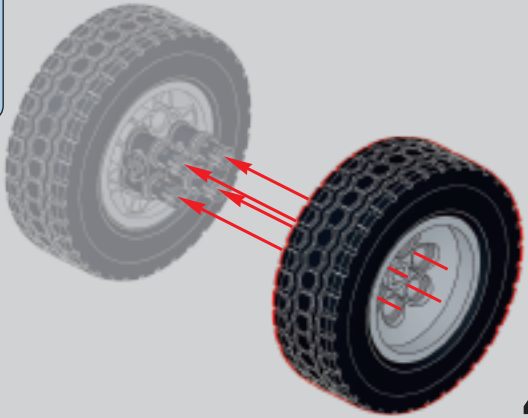
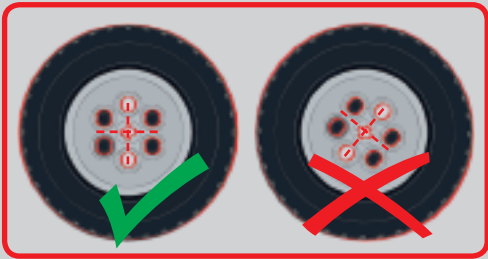
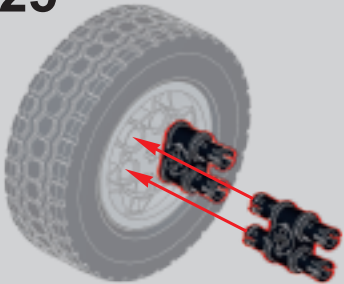
1124



1125

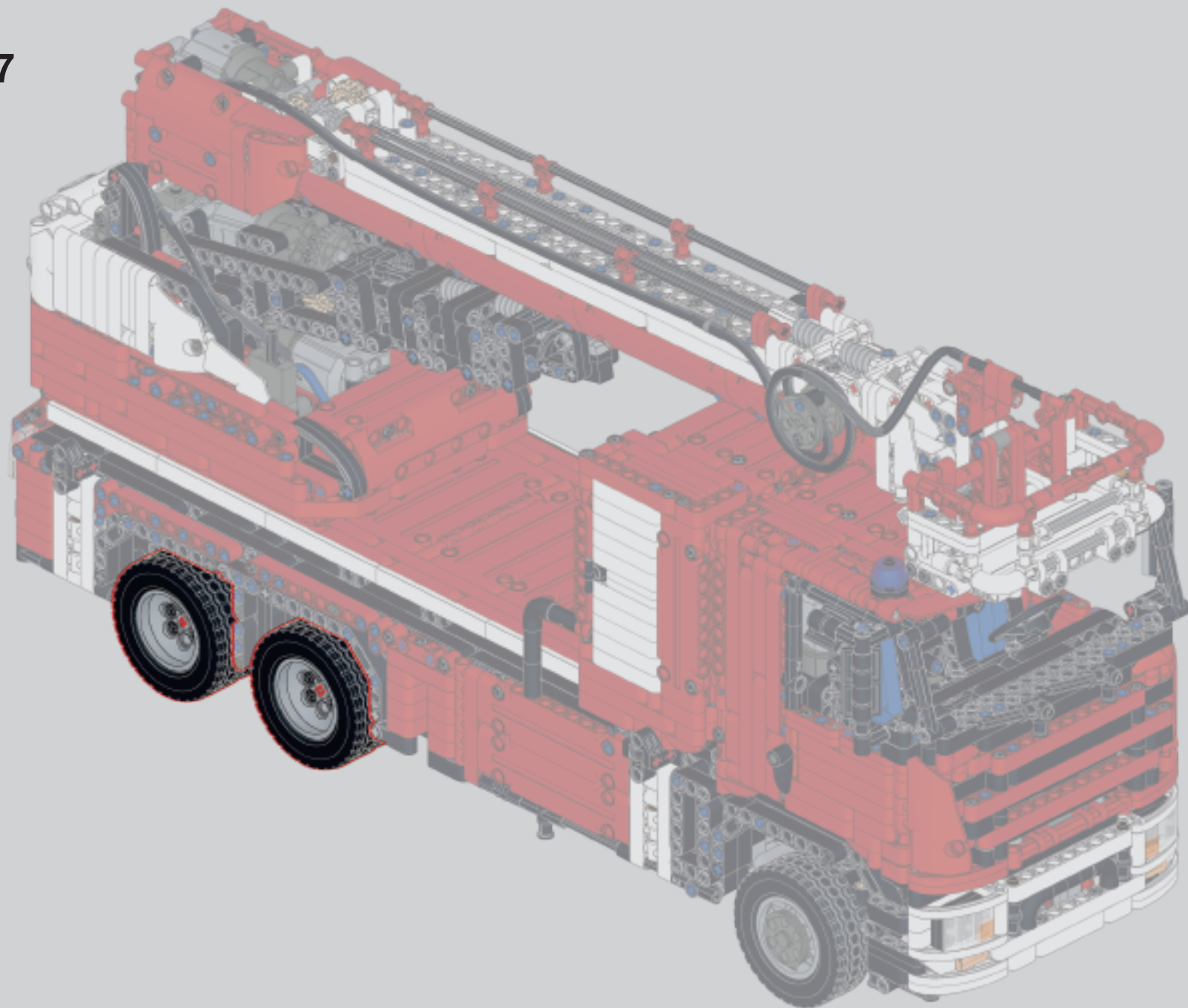


1126

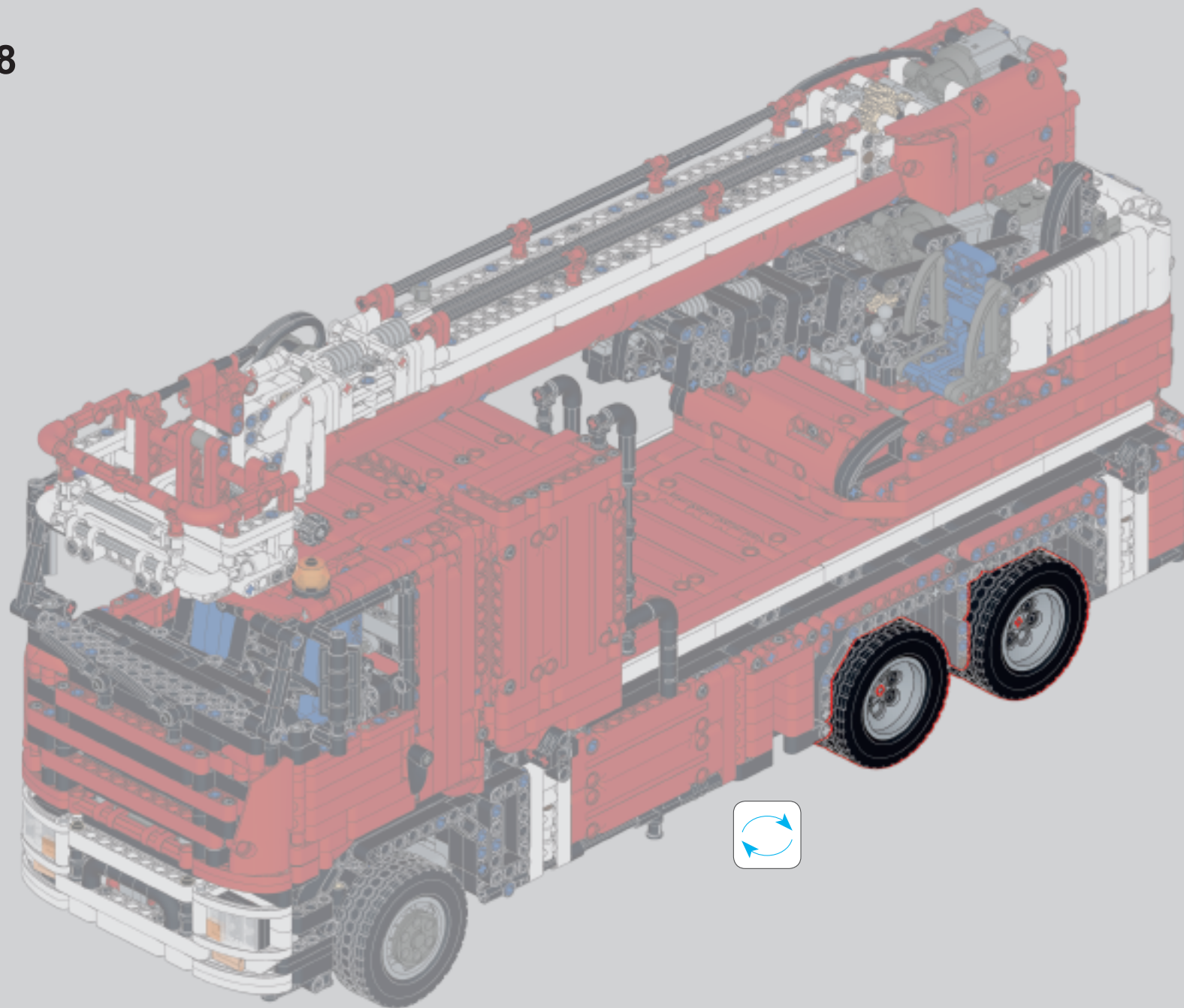


4x

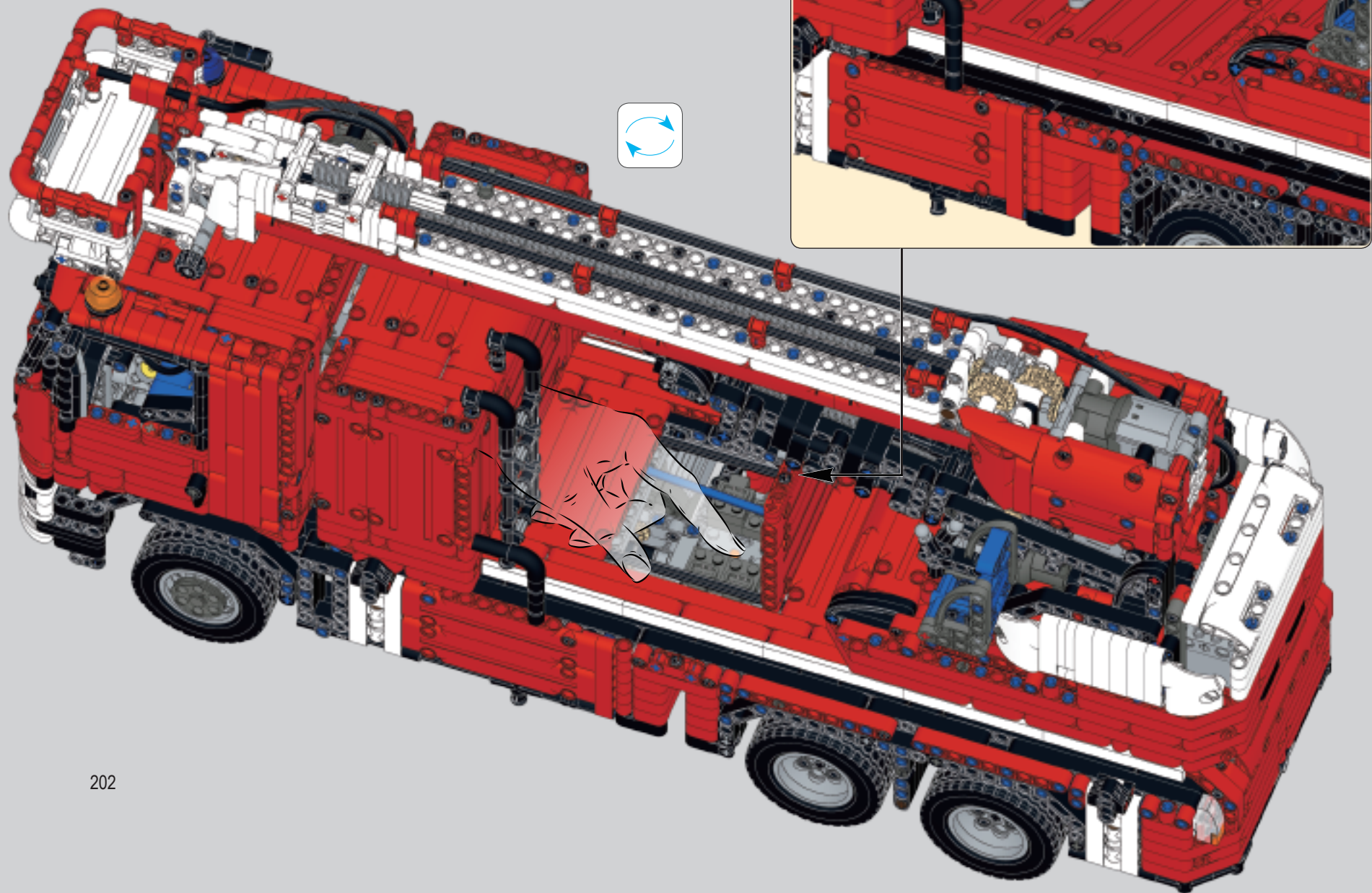
1127



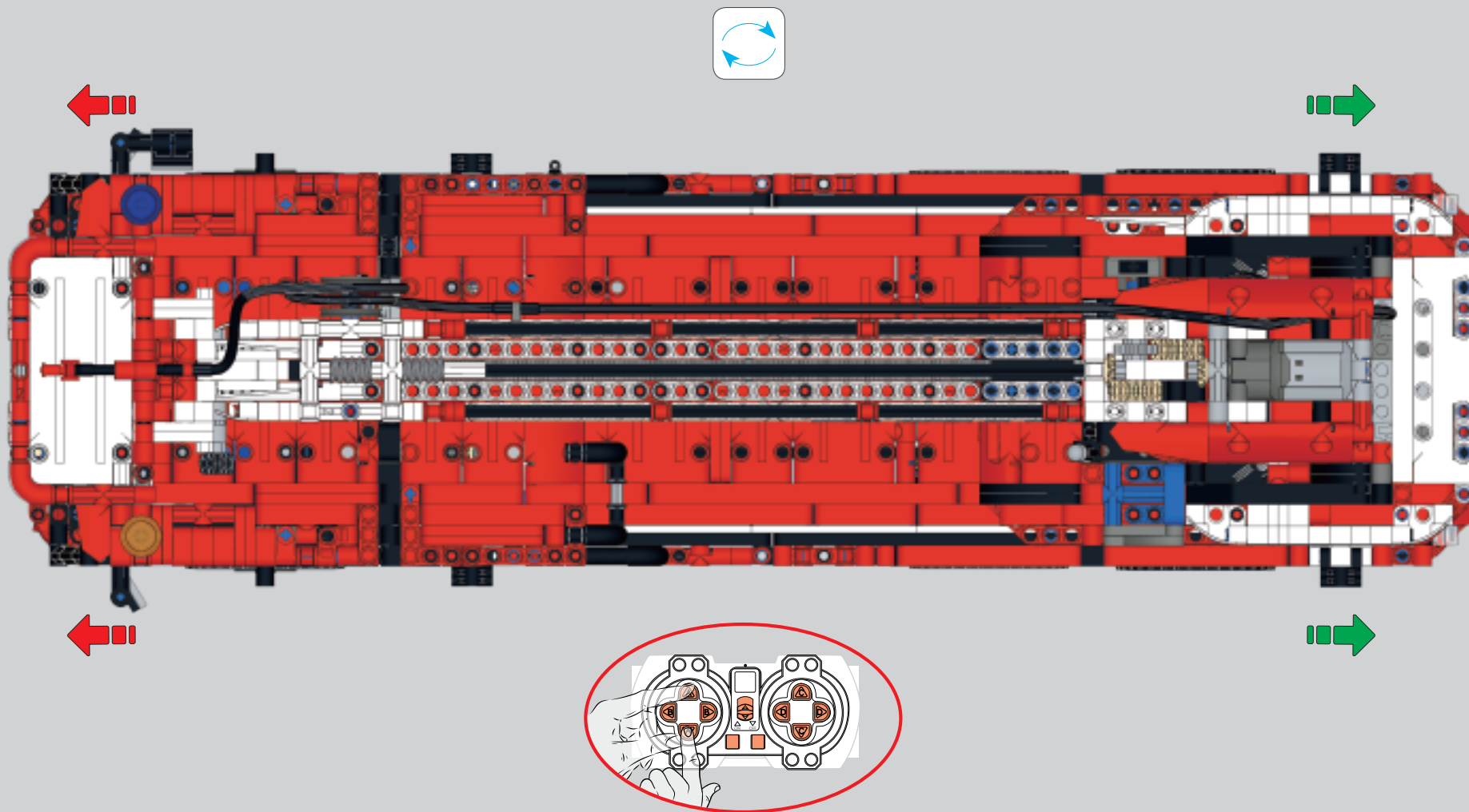
1128



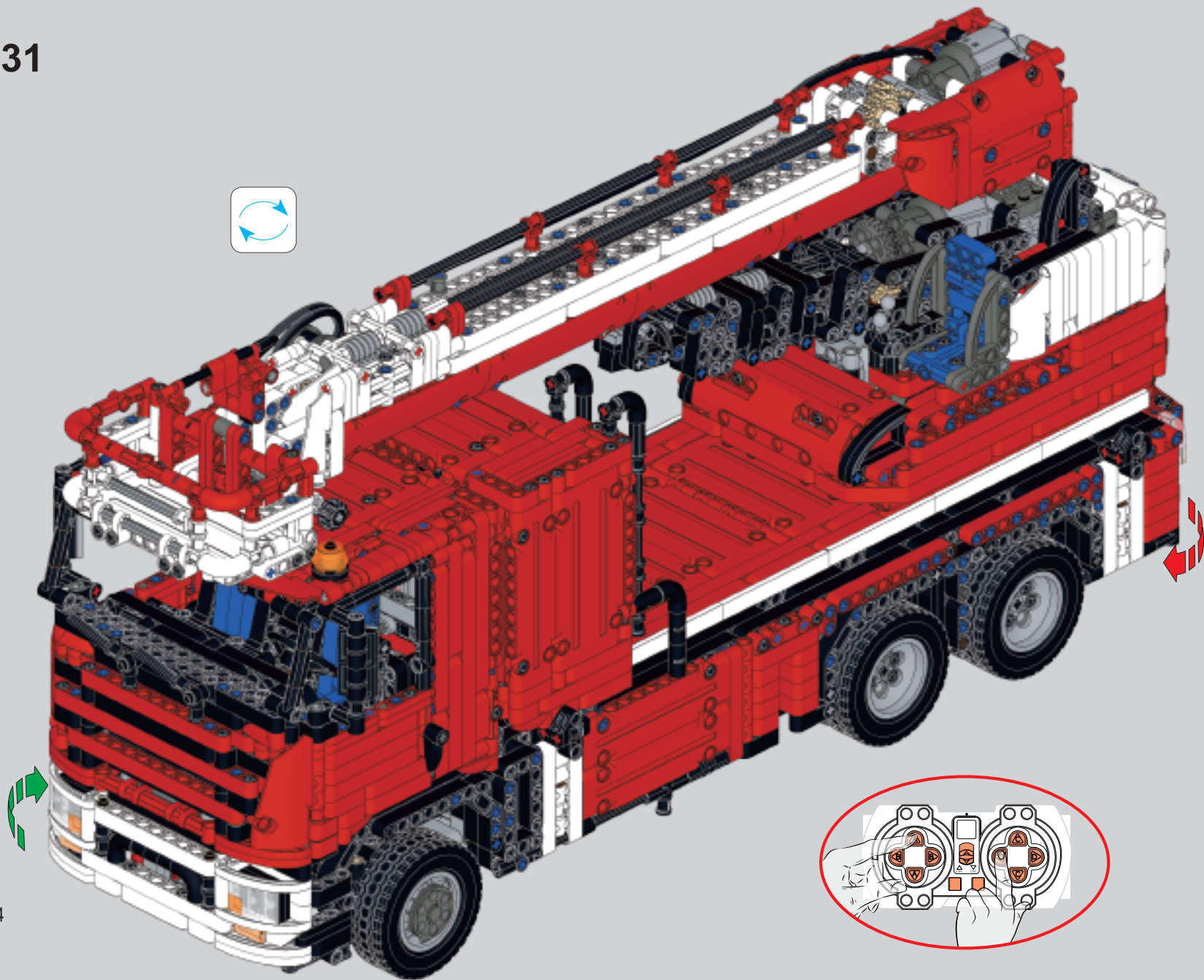
1129



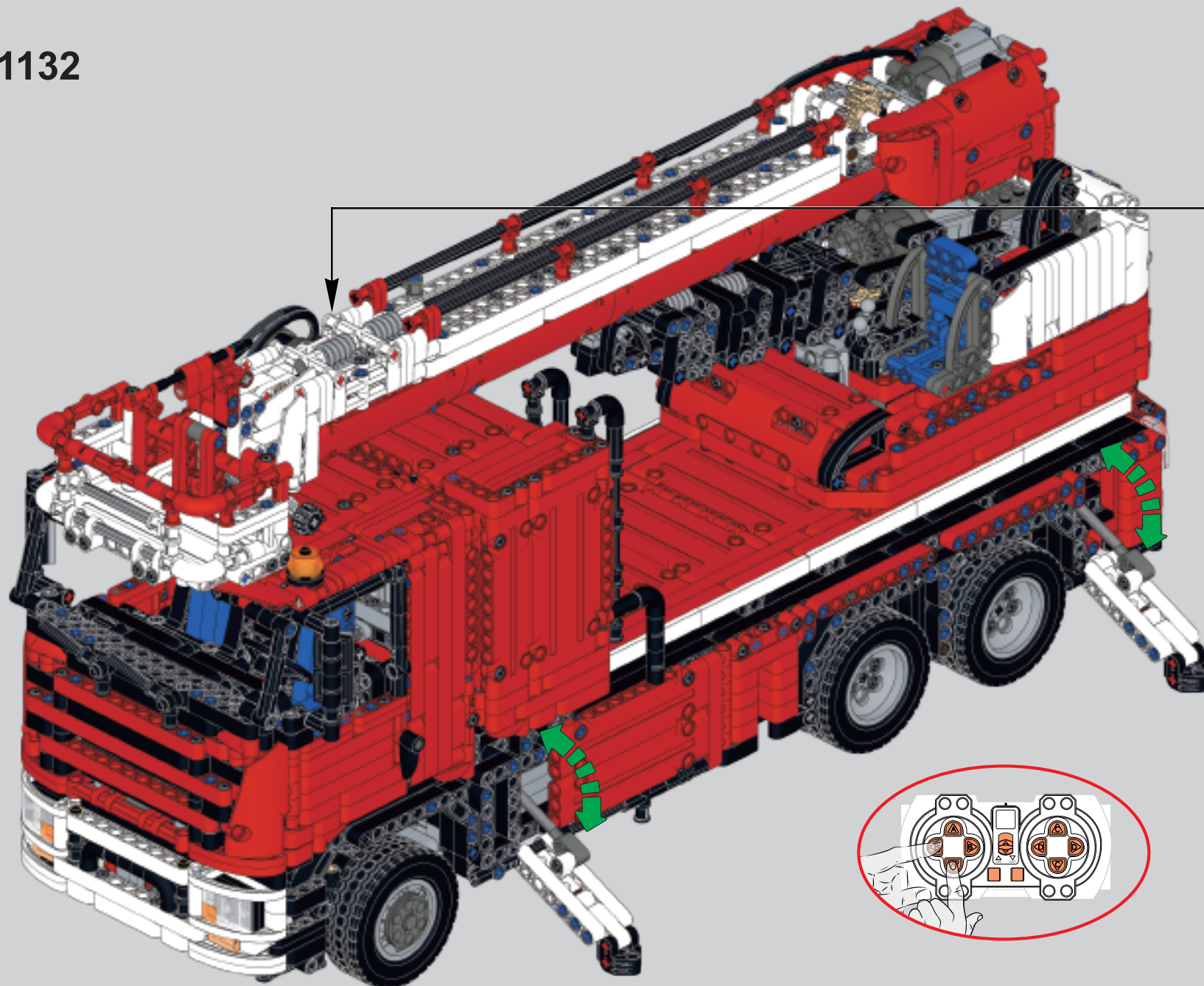
1130

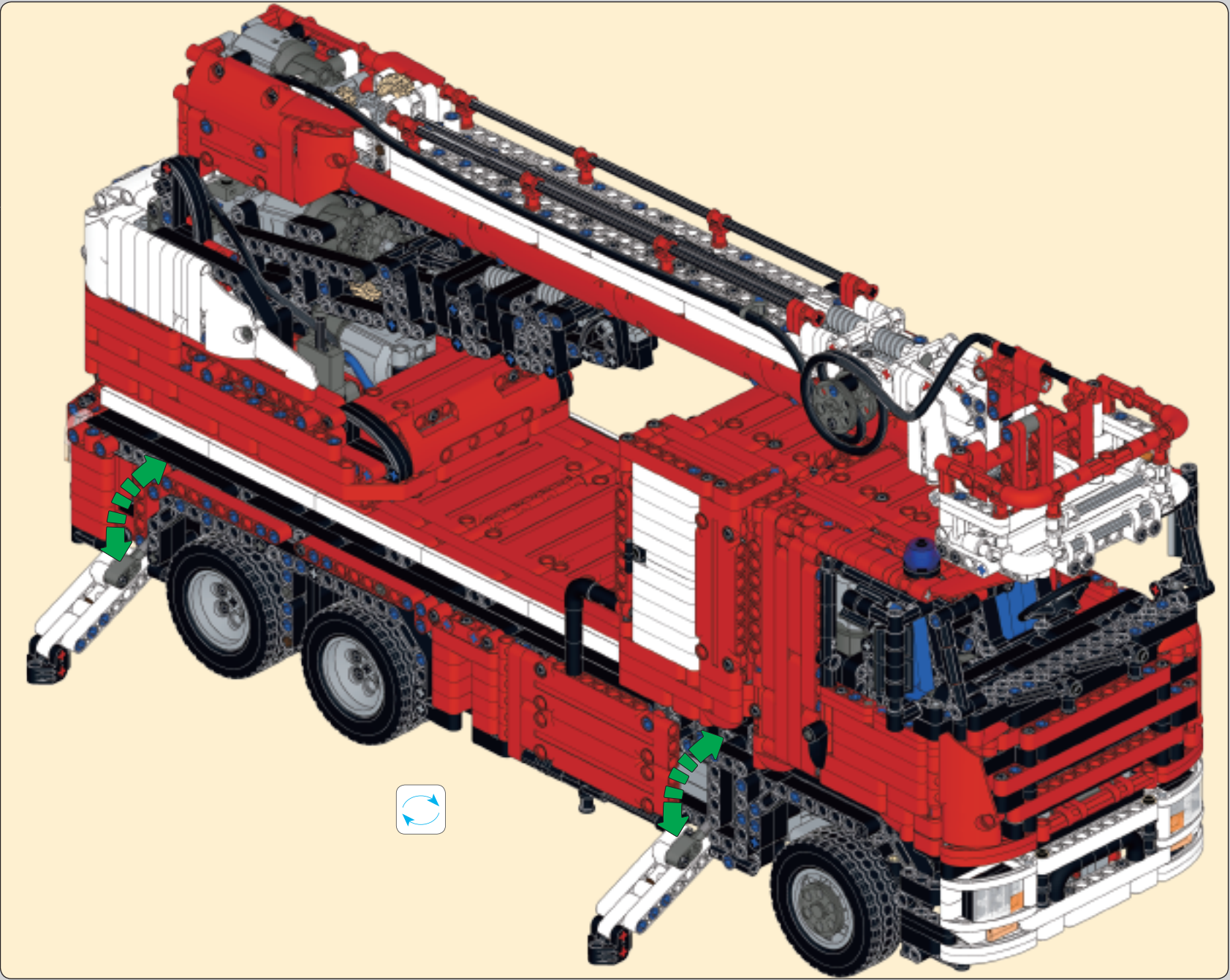


1131



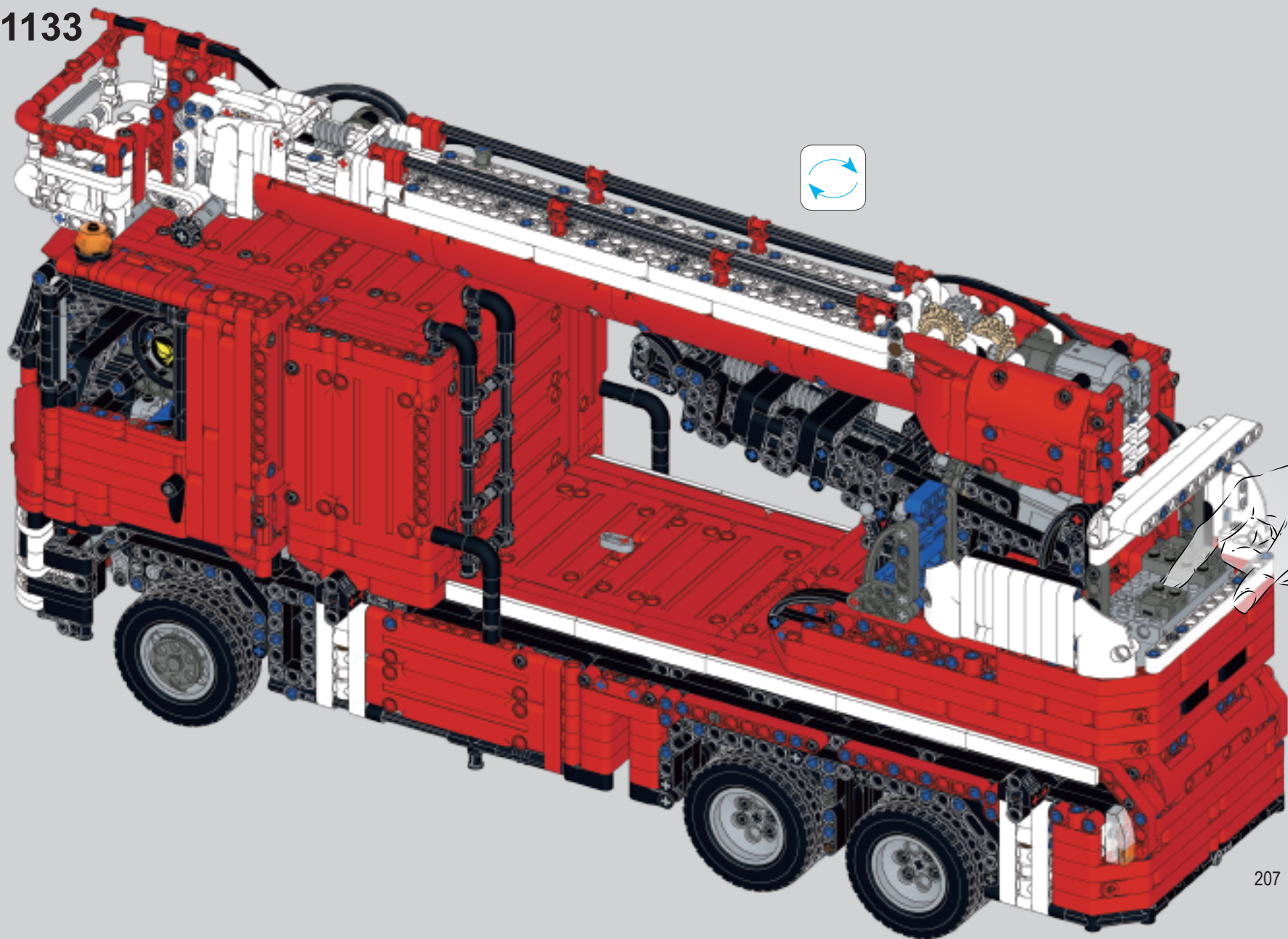
1132



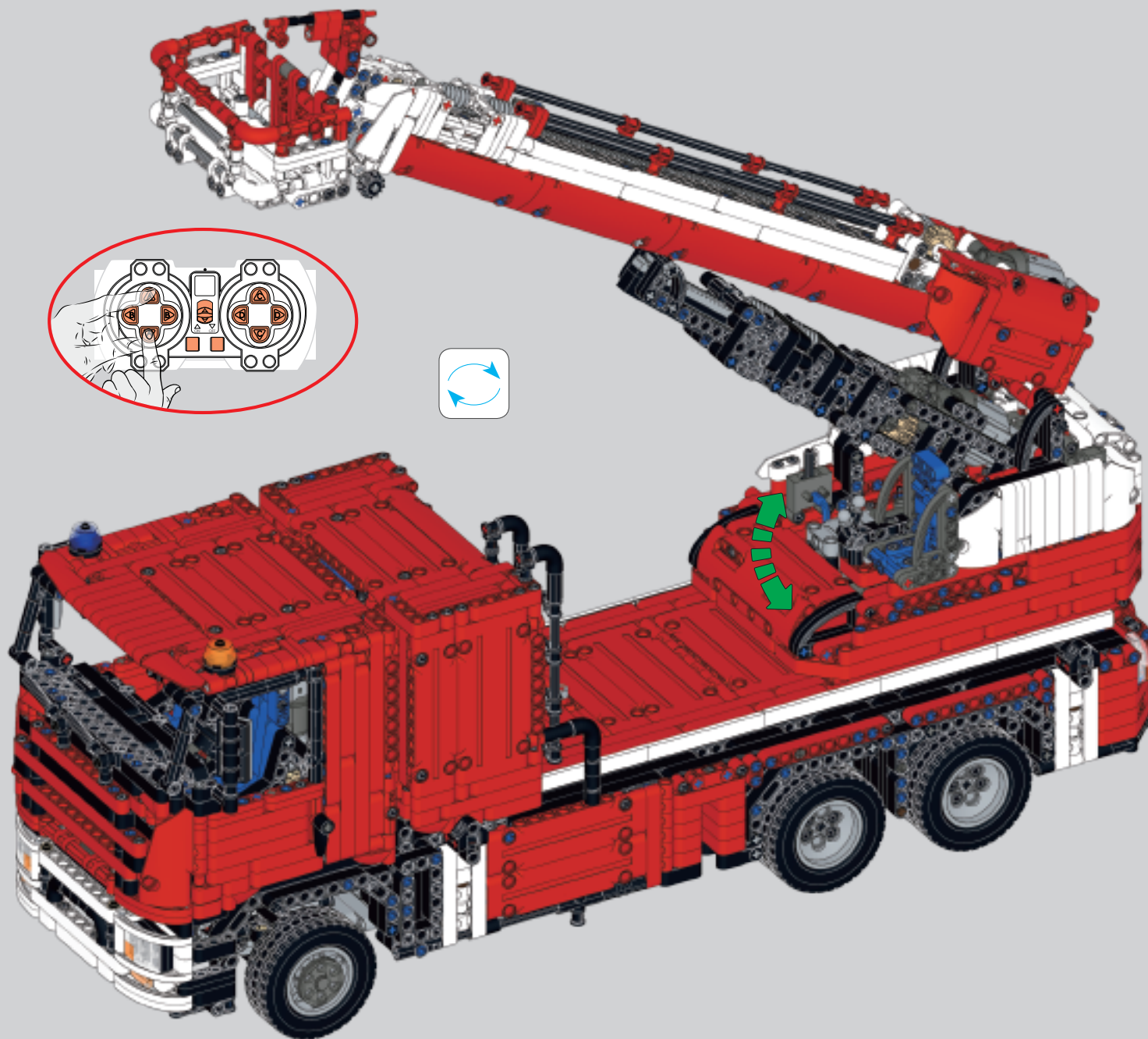




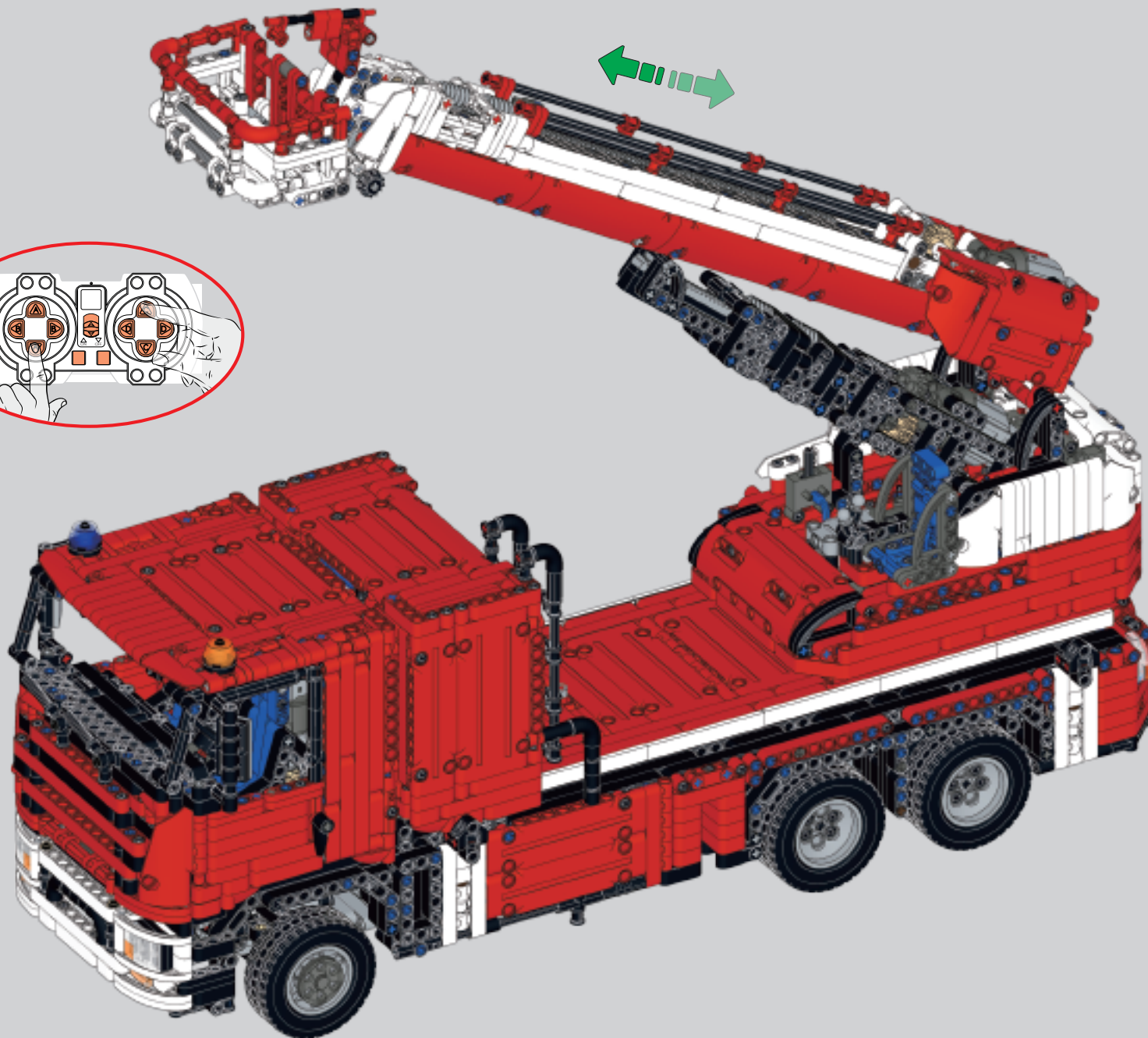
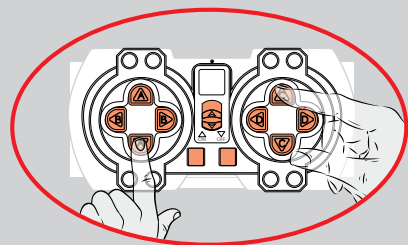
1133



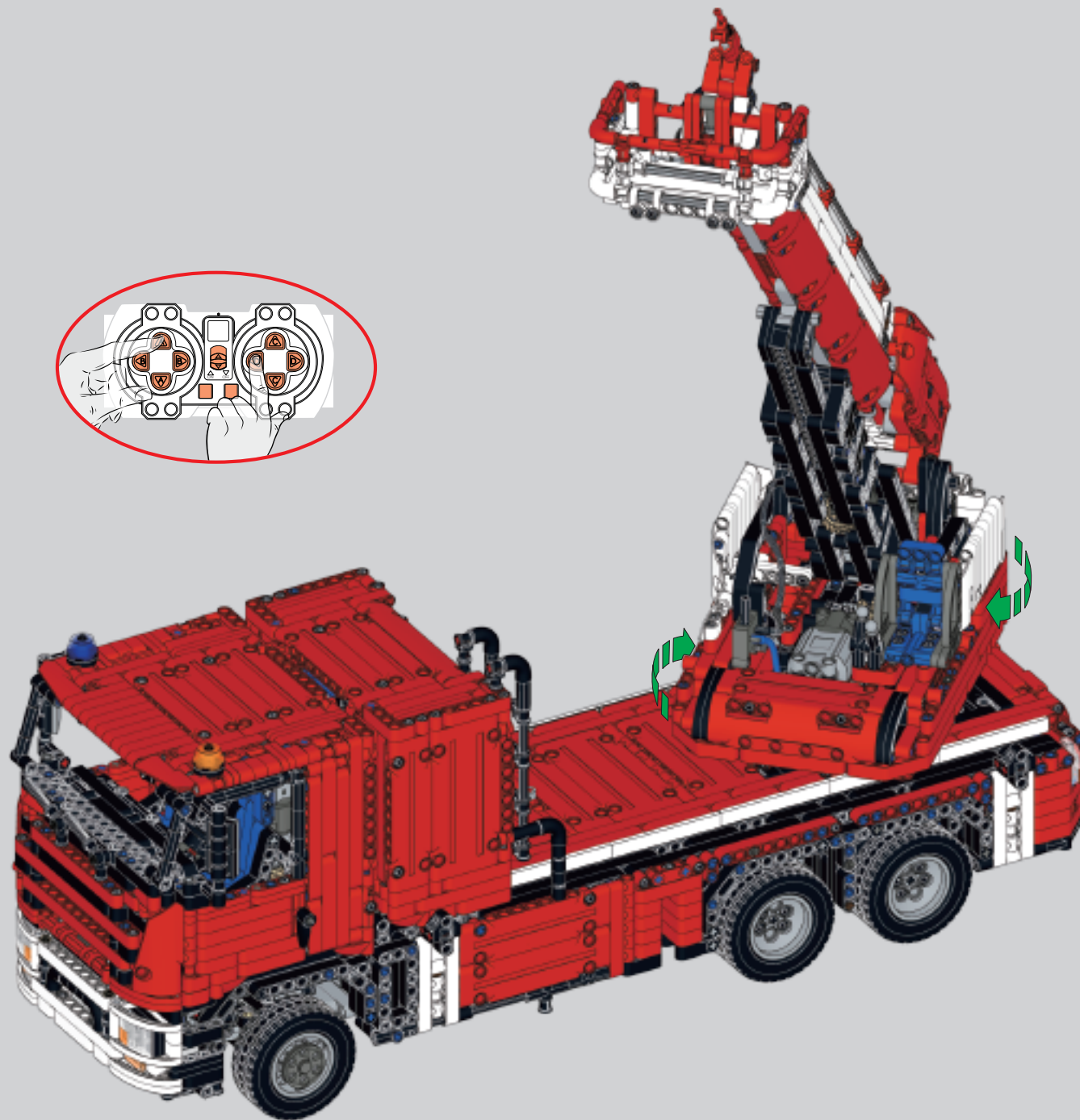
1134



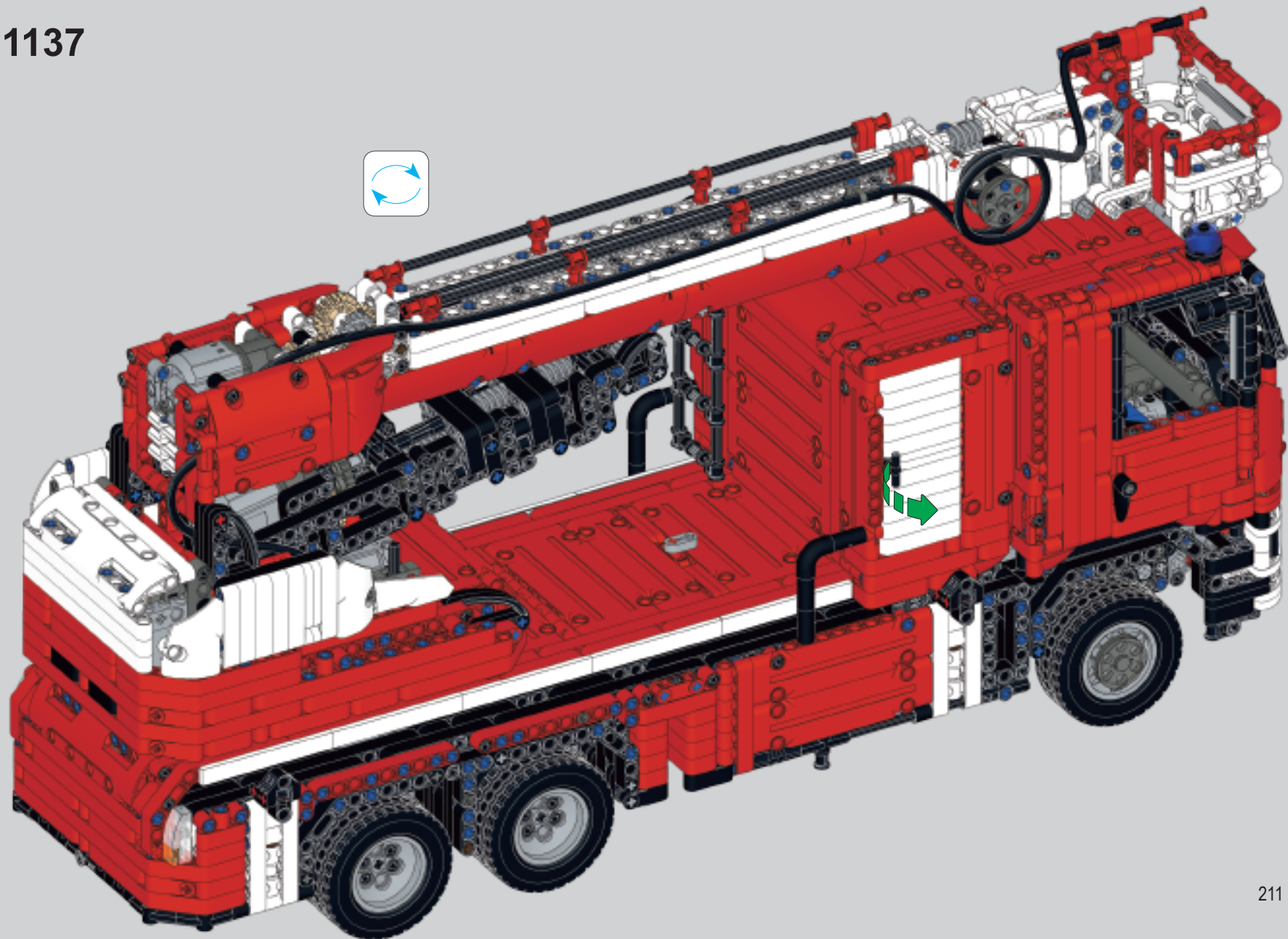
1135



1136



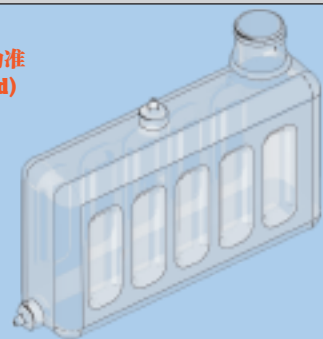
1137



以实物为准  
(In kind)

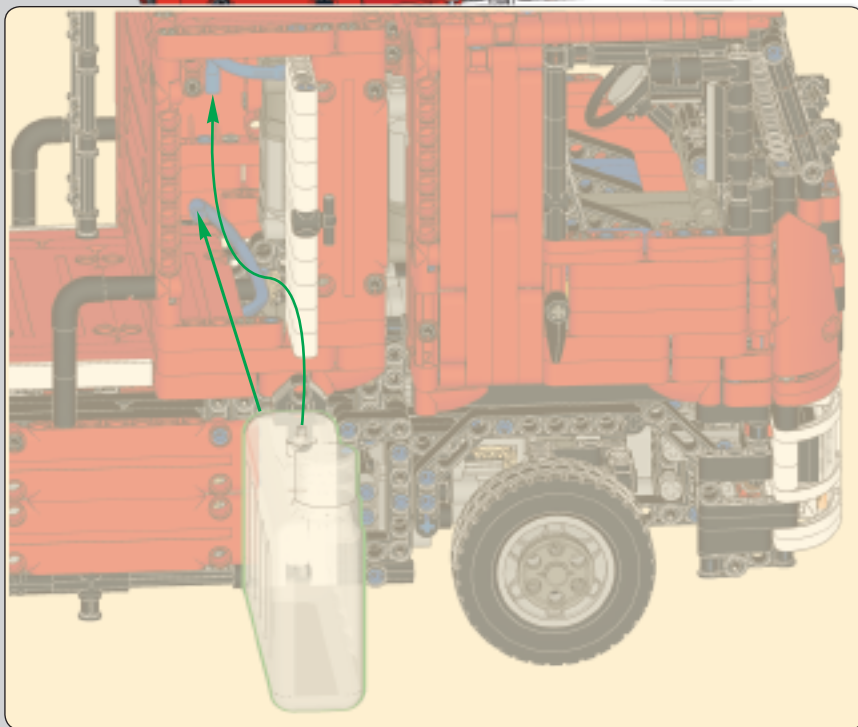


1x

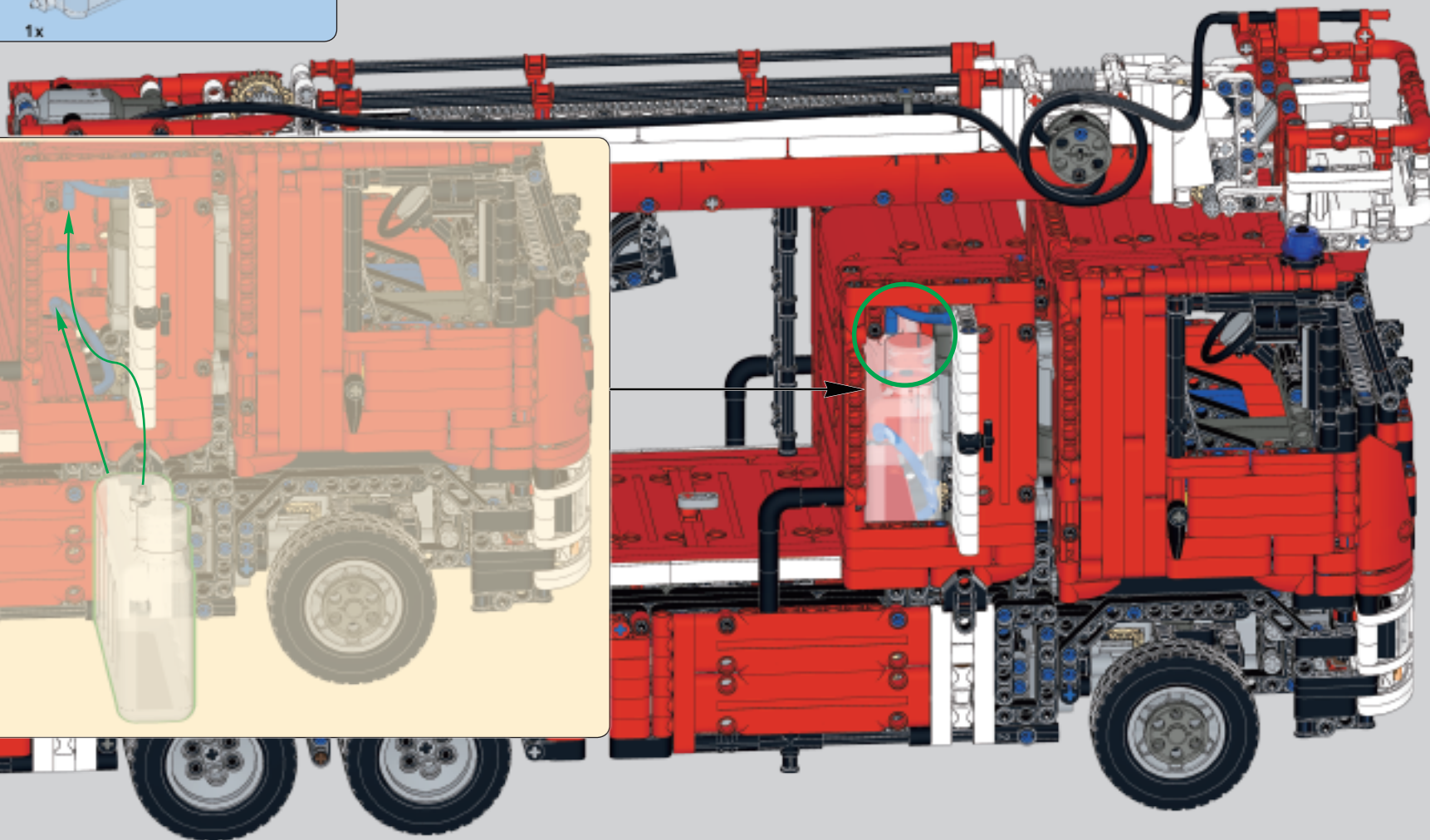


1x

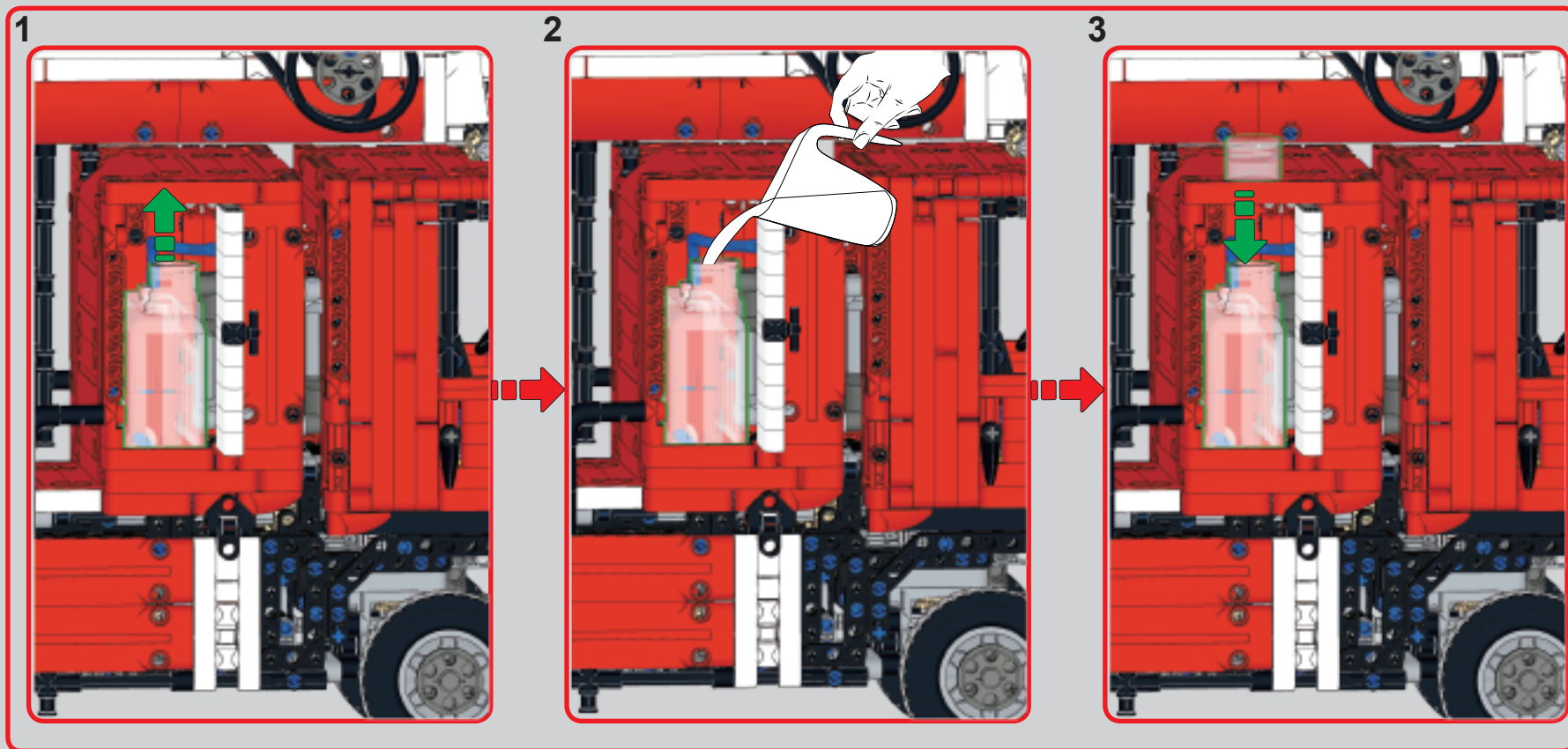
1138



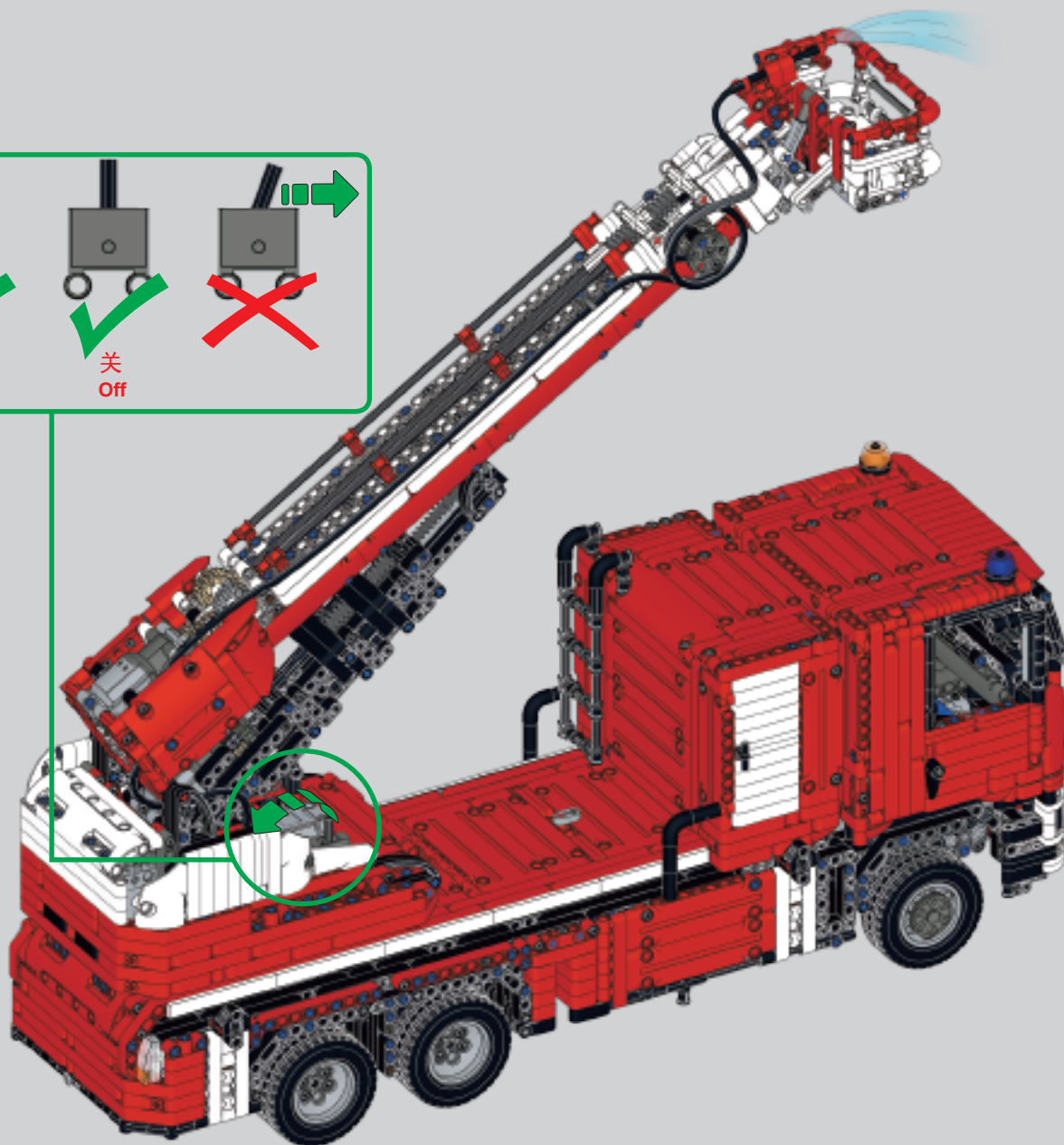
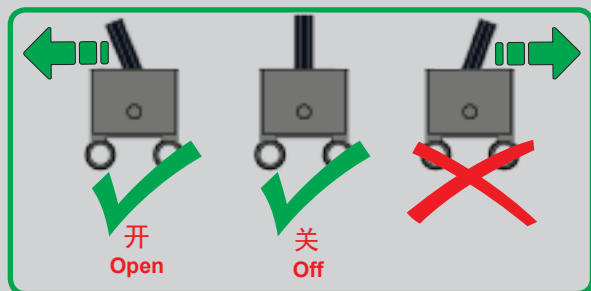
212



1139



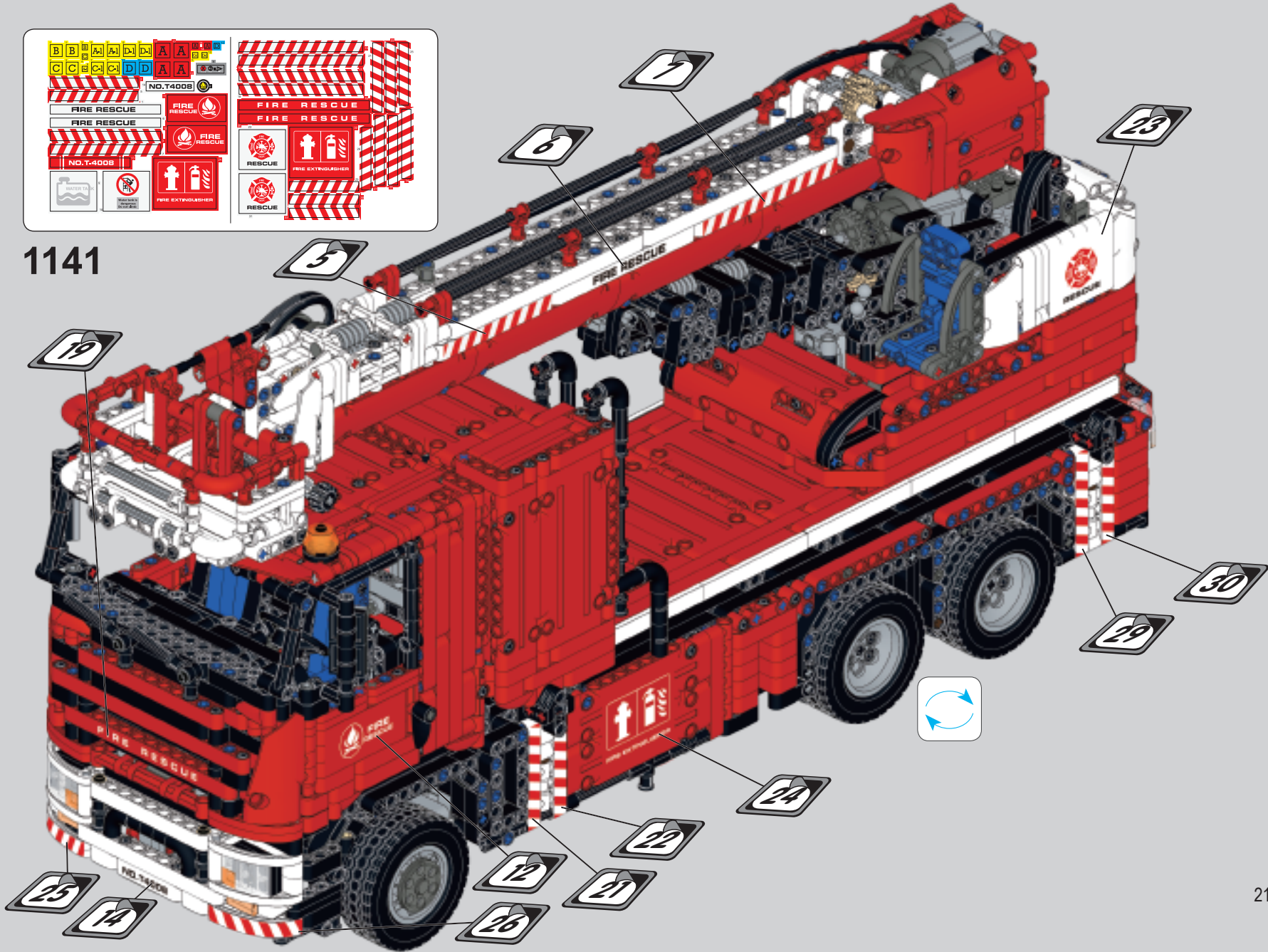
1140



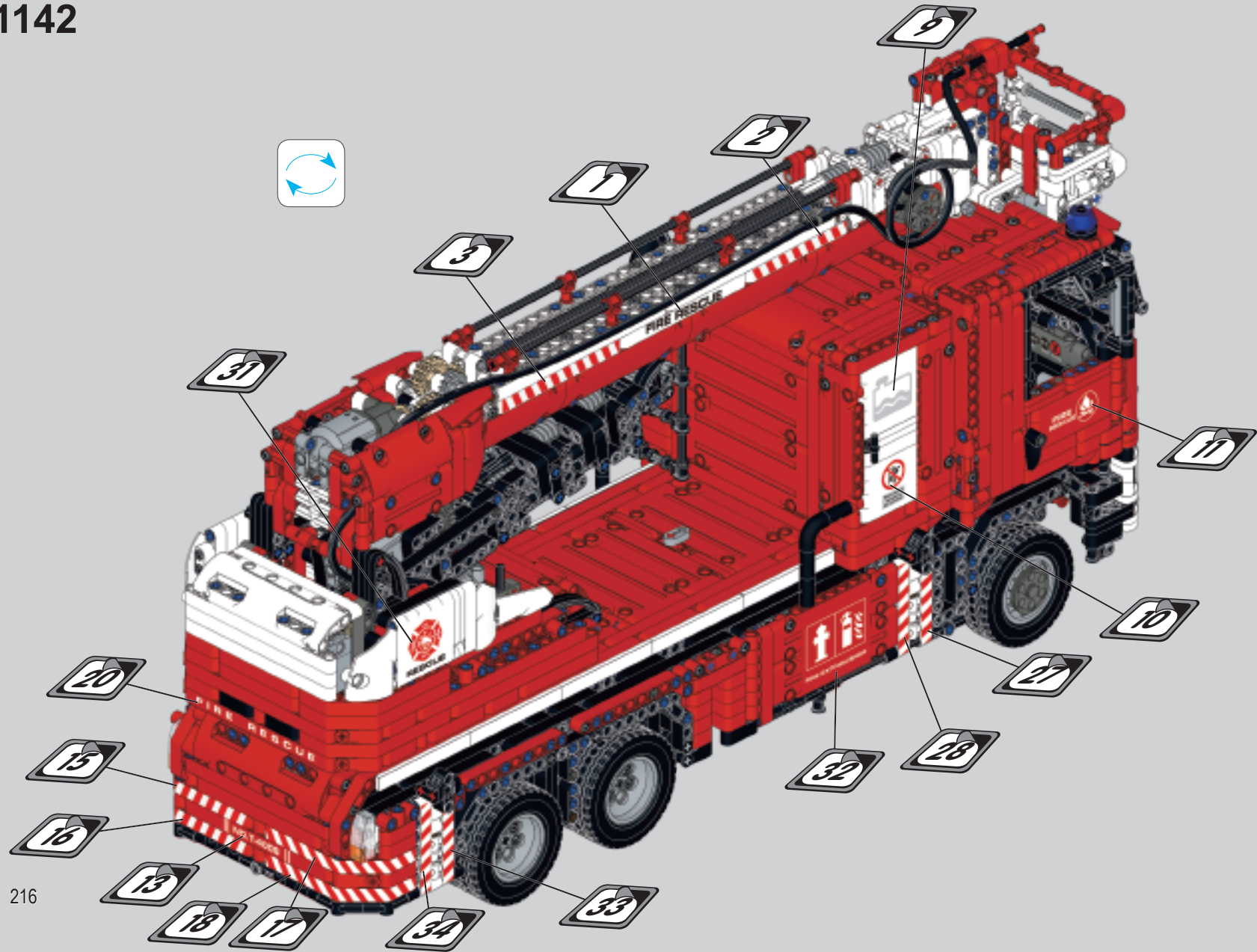


B	B	A	A	D	D	A	A	A	A
C	C	C	C	D	D	A	A		
IND. T400B									
FIRE RESCUE									
FIRE RESCUE									
NO. T-400B									
NO. T-400B		FIRE RESCUE		FIRE RESCUE		RESCUE	FIRE EXTINGUISHER		
RESCUE						RESCUE			

1141



1142







NO. T4008

4629+ Parts

6+



Ladder boom telescopic length control, height control  
梯臂伸缩长度控制, 高度控制



Support feet open  
支脚打开支脚



The cab can be opened  
驾驶室能翻开



Simulate the door handle to open the door  
仿真车门把手打开车门



Engine linkage 发动机连杆



The back cover can be opened  
后盖能打开



Open the door, you can take out the water tool, easy to add water  
打开门, 就能取出水枪, 方便加水



Air pressure control water gun  
气压控制水枪



The gimbal can rotate 360°  
云台可360° 旋转

The back cover can be opened  
后盖能打开